

TRACTOR LOADER BACKHOE



Specifications

Max Gross Weight	17,663 lbs (8,029 kg)
Net Engine Power	94 hp (70.3 kW)
Dig Depth (Std)	15' 11" (4.9 m)
Dig Depth (Ext)	20' 4" (6.2 m)

Features

- Large 1.32 yd³ (1.0 m³) bucket decreases loader cycle times.
- Exceptionally narrow backhoe boom offers excellent visibility.
- Strong loader with excellent lift capacity and bucket breakout force help improve productivity.
- Exceptional ground clearance improves maneuverability around the job site, even in soft, difficult conditions.
- Tandem gear pumps and a closed center hydraulic system provide more controlled power to help get jobs done faster.
- Standard large, comfortable cab with a full suspension seat.

WORKS FOR YOU.[™]

SPECIFICATIONS

Engine

Manufacturer, model	Perkins, Model 1104D-44T
Induction	Turbo
Gross power rating @ 2,200 rpm (SAE J 1995)	100 hp (74.8 kW)
Net power rating @ 2,200 rpm (SAE J 1349)	94 hp (70.3 kW)
Net torque @ 1,400 rpm (SAE J 1349)	290 lbf (395 Nm)
Displacement	269 in ³ (4.4 L)
Tier-3 1100 Series with reduced noise and lower exhaust emissions. Electric fuel lift pump for increased reliability. Easy service Ecoplus fuel filters. Service periods at 500 hours. Integrated closed circuit breather further reduces emissions. Key stop/start. Two-stage dry air cleaner.	

Electrical System

Alternator	100 A
Battery (single)	770 CCA, 115 amp/hr -12 V
Battery (double)	590 CCA - each, 72 amp/hr -12 V
Battery step-mounted for good access. Low maintenance battery. Connectors sealed against water and dust. 33 circuit fuses. 25 circuit relays.	

Transmission & Ground Speeds

Dana transmission. Full Powershift gearbox with 4 speeds forward and 2 speeds reverse. Single-stage torque converter with 2.60:1 stall ratio. Soft shift direction changes. Automatic up-shifting by selecting 4th gear. Kick-down button is standard. Fast, smooth gear changes on the move without clutching. High transport speed reduces highway travel times. High tractive effort in first and second gears for high loader performance. Modulated forward and reverse clutch packs enable smooth direction changes. Front console switch allows effortless engagement of 4WD on the move.

Travel speeds 16/70x20 10 ply front tires and 16.9x30 10 ply rear tires:

	Forward				Reverse	
Gear	1	2	3	4	1	2
mph	3.6	6.8	13.6	25.8	4.2	7.9
km/h	5.8	10.9	21.3	41.6	6.9	13.0

Turning Circle (4WD)

	Over tires	Over bucket
2 WS	37' 4" (11.4 m)	43' 0" (13.1 m)
4 WS	23' 9" (7.3 m)	30' 5" (9.3 m)
4 WS (w/brakes)	22' 0" (6.7 m)	28' 9" (8.8 m)

Axles

	Front and Rear
Static load rating	42,150 lbf (187,500 n)
Dynamic load rating	16,860 lbf (75,000 n)
Outboard planetary final drives for easier servicing. Foot-actuated differential lock for ease of operation. 16° front axle oscillation to maintain maximum ground contact and traction.	



Brakes

Long life sealed wet disk brakes. Self-equalizing and self-adjusting. Friction area per brake assembly measures 113 in² (728 cm²). Selectable 2-wheel or 4-wheel braking.

Hydraulic System

Main pump @ 2,200 rpm	21 gpm (80 Lpm)
Secondary pump @ 2,200 rpm	21 gpm (80 Lpm)
System main relief setting	3,250 psi (225 bar)
Unloader settings	3,000 psi (207 bar)

Closed center system incorporating load-sensing and flow-sharing. Twin gear pumps for reliability. Power Boost to match digging power and speed to application. Automatic or manually activated to give more precise control as required. Single pedal operation of auxiliary circuit and extending dipper (optional). Hydraulic oil cooler reduces operating temperatures and tilts forward for easy cleaning. Hydraulic tank easily accessed from ground level. Commercial hydraulic pumps. Rexroth hydraulic valves. Pacoma hydraulic cylinders. Low effort, pilot operated controls are standard with two position valve to allow for either ISO or SAE control patterns.

Cab (optional)

Wide opening doors with steps and large grab rails. Large windows, lowline curved hood and full depth rear window enhance visibility. Door windows can be partially or fully opened for ventilation. Raised rear window provides ventilation and protection from the rain. Backlit, touch-operated switches. Adjustable tilt steering wheel. Two front and rear defrosting vents. Powerful 3-speed heater with two forward and three rear vents. Adjustable rear working lights.

Noise emission ambient LWA 78 dB (A)

Air conditioning option available.

Four-post, open-ROPS as standard equipment.

Pilot operated backhoe controls are standard equipment.

Weight Configuration

Total machine weight	17,663 lbs (8,029 kg)
----------------------	-----------------------

Loader Performance

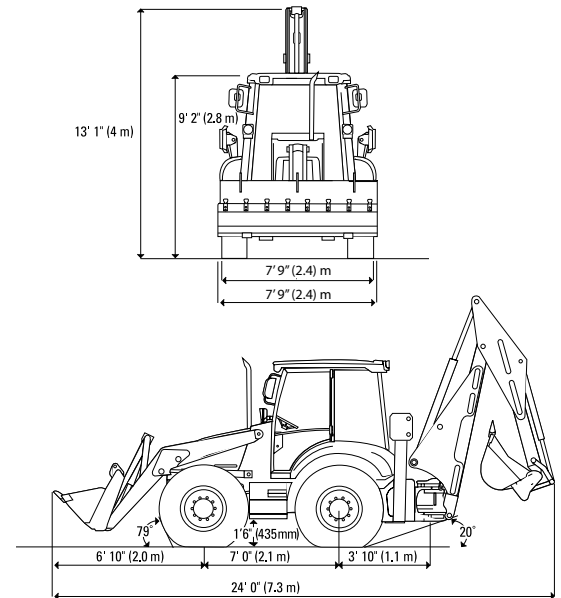
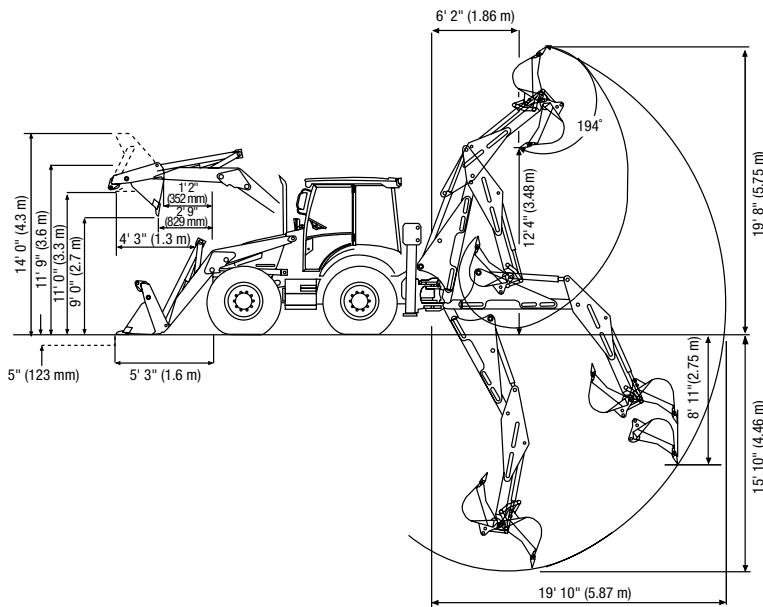
	1.56 yd ³ Bucket	1.56 yd ³ 7-in-1 Bucket
Bucket breakout	12,291 lbf (5,575 kgf)	12,114 lbf (5,495 kgf)
Arms breakout	10,917 lbf (4,952 kgf)	11,649 lbf (5,284 kgf)
Lift capacity to full height	8,783 lbf (3,984 kgf)	7,921 lbf (3,593 kgf)

Fluid Capacities

Fuel	34.2 gal (130 L)	R axle (4WD)	4.6 gal (17.5 L)
Coolant	4.2 gal (16 L)	F. axle (4WD)	3.3 gal (12.5 L)
Engine oil w/ filter	2.2 gal (8.5 L)	Hydraulic Sys.	37.6 gal (143 L)
Transmission	5.1 gal (16 L)		



Working Ranges



Backhoe Dimensions

	Standard Dipper	Deep Dig Dipper (Ret.)	Deep Dig Dipper (Ext.)
Dig depth SAE	15' 11" (4.85 m)	15' 11" (4.85 m)	20' 4" (6.20 m)
2 ft (0.61 m) flat bottom SAE	15' 10" (4.84 m)	15' 10" (4.84 m)	20' 3" (6.18 m)
Reach ground level to swing post	19' 10" (6.03 m)	19' 10" (6.03 m)	24' 0" (7.32 m)
Loading reach	6' 2" (1.87 m)	6' 2" (1.87 m)	9' 11" (3.03 m)
Operating height	19' 8" (5.99 m)	19' 8" (5.99 m)	22' 6" (6.86 m)
Loading height SAE	12' 4" (3.75 m)	12' 4" (3.75 m)	14' 7" (4.44 m)
Maximum load height	13' 1" (3.99 m)	13' 1" (3.99 m)	16' 3" (4.96 m)
Maximum straight wall dig depth	8' 11" (2.71 m)	8' 11" (2.71 m)	13' 5" (4.08 m)
Bucket rotation			
Speed	194°	194°	194°
Power	163°	163°	163°
Side reach from stabilizers	13' 5" (4.07 m)	13' 5" (4.07 m)	17' 7" (5.36 m)
Stabilizer spread	11' 3" (3.43 m)	11' 3" (3.43 m)	11' 3" (3.43 m)
Max. leveling angle	15°	15°	15°
Backhoe Performance			
Swing torque	11,875 lbf-ft (16,100 Nm)	11,875 lbf-ft (16,100 Nm)	11,875 lbf-ft (16,100 Nm)
Dipper tearout	8,329 lbf (3,778 kgf)	8,329 lbf (3,778 kgf)	5,580 lbf (2,531 kgf)
Bucket tearout			
Speed	11,636 lbf (5,278 kgf)	11,636 lbf (5,278 kgf)	11,636 lbf (5,278 kgf)
Power	14,445 lbf (6,552 kgf)	14,445 lbf (6,552 kgf)	14,445 lbf (6,552 kgf)

Loader Dimensions - Standard Equipment

	1.56 yd ³ Bucket	1.56 yd ³ 7-in-1 Bucket
Dump clearance at 45°	9' 0" (2.74 m)	9' 0" (2.71 m)
Dump height (fully dumped)	8' 9" (2.66 m)	8' 9" (2.66 m)
Load over height	11' 0" (3.34 m)	11' 0" (3.34 m)
Hinge pin height	11' 9" (3.58 m)	11' 9" (3.58 m)
Pin forward reach	1' 2" (352 mm)	1' 2" (352 mm)
Reach at ground	5' 3" (1.60 m)	5' 3" (1.60 m)
Max. reach at full height	4' 3" (1.28 m)	4' 3" (1.28 m)
Reach at full height, at 45°	2' 9" (829 mm)	2' 9" (829 mm)
Reach at full height, fully dumped	2' 1" (645 mm)	2' 1" (645 mm)
Dig depth	5" (123 mm)	5" (123 mm)
Rollback at ground	45°	45°
Maximum dump angle	57°	57°
Overall operating height	14' 0" (4.26 m)	14' 0" (4.26 m)

Loader Attachments

	Standard Capacity Bucket	7-in-1 Bucket
Width	7' 7" (2.31 m)	7' 7" (2.31 m)
Capacity	1.32 yd ³ (1.0 m ³)	1.32 yd ³ (1.0 m ³)
Weight	880 lbs (400 kg)	1,606 lbs (730 kg)
	High Capacity Bucket	High Capacity 7-in-1 Bucket
Width (Optional)	7' 10" (2.39 m)	7' 10" (2.39 m)
Capacity	1.56 yd ³ (1.2 m ³)	1.56 yd ³ (1.2 m ³)
Weight	946 lbs (430 kg)	1,687 lbs (767 kg)

Fork Attachments (Bucket-mounted)

	Std Cap Bucket	7-in-1 Bucket
Fork length	3' 6" (1.07 m)	
Section width	3" (80 mm)	
Assembly weight	330 lbs (150 kg)	
Max. operating height	10' 2" (3.09 m)	
Reach at ground level	8' 10" (2.71 m)	
Reach at full height	7' 4" (2.23 m)	7' 5" (2.25 m)
S.W.L. at 20" load center	2,204 lbs (1,000 kg)	

Hydraulic Hammer Option

Sound-insulated. Tools: Moil point or chisel point

Backhoe Lifting Performance

Bucket Pin HT Above/Below lbs (kg)	BOOM LIFT Extending			DIPPER LIFT Extending			CRANING LIFT Extending			
	Ground	Std	Ret	Ext	Std	Ret	Ext	Std	Ret	Ext
	+18'	-	-	-	-	-	-	-	-	-
+16'	-	-	-	-	-	-	2,346 (1,064)	-	-	3,209 (1,455)
+14'	3,532 (1,602)	3,250 (1,474)	2,134 (968)	3,814 (1,730)	3,752 (1,418)	2,152 (976)	4,875 (2,211)	4,853 (2,201)	3,179 (1,442)	3,179 (1,442)
+12'	*3,593 (1,629)	3,269 (1,482)	2,231 (1,012)	3,404 (1,544)	3,131 (1,418)	1,995 (904)	4,519 (2,049)	4,417 (2,003)	3,154 (1,430)	3,154 (1,430)
+10'	*3,377 (1,531)	*3,153 (1,430)	2,200 (997.9)	3,307 (1,500)	2,932 (1,418)	1,896 (860)	4,434 (2,011)	4,377 (1,985)	3,154 (1,430)	3,154 (1,430)
+8'	*3,201 (1,451)	*2,976 (1,349)	*2,165 (982)	3,466 (1,572)	3,051 (1,418)	1,995 (904)	4,469 (2,027)	4,417 (2,003)	3,268 (1,482)	3,268 (1,482)
+6'	*3,071 (1,393)	*2,844 (1,290)	*2,097 (951.2)	4,012 (1,819)	3,638 (1,418)	2,385 (1,081)	5,232 (2,373)	4,992 (2,264)	3,645 (1,653)	3,645 (1,653)
+4'	*2,989 (1,355)	*2,765 (1,254)	*2,055 (932.1)	-	-	2,914 (1,321)	-	-	4,195 (1,902)	4,195 (1,902)
+2'	*2,963 (1,344)	*2,736 (1,241)	*2,041 (925.8)	-	-	3,876 (1,758)	-	-	4,860 (2,204)	4,860 (2,204)
0	*2,989 (1,355)	2,740 (1,242)	2,033 (922.2)	-	-	4,398 (1,994)	-	-	5,613 (2,546)	5,613 (2,546)
-2'	3,053 (1,384)	2,707 (1,227)	2,019 (915.8)	-	-	-	-	-	-	-
-4'	2,989 (1,355)	2,782 (1,261)	2,019 (915.8)	-	-	-	-	-	-	-
-6'	3,038 (1,378)	2,859 (1,296)	1,997 (905.8)	-	-	-	-	-	-	-
-8'	3,239 (1,469)	2,859 (1,296)	2,341 (1,061)	-	-	-	-	-	-	-
-10'	-	2,919 (1,324)	2,615 (1,186)	-	-	-	-	-	-	-

1. Lift capacities shown are 87% of maximum lift force per SAE definition J31 and are not stability limited unless marked with an (*).

2. Figures stated apply within 90° either side of machine.

3. Figures stated are determined by static tests and do not include dynamic factors.

4. Figures stated are without bucket fitted.

5. Boom is angled at 78° for dipper lift capacities.

6. Loader bucket is on ground.

7. Crane capacity determined with hydraulic boom lock-up feature selection.

terex.com

Effective Date: March 2010. Product specifications and prices are subject to change without notice or obligation. The photographs and/or drawings in this document are for illustrative purposes only. Refer to the appropriate Operator's Manual for instructions on the proper use of this equipment. Failure to follow the appropriate Operator's Manual when using our equipment or to otherwise act irresponsibly may result in serious injury or death. The only warranty applicable to our equipment is the standard written warranty applicable to the particular product and sale and Terex makes no other warranty, express or implied. Products and services listed may be trademarks, service marks, or trade names of Terex Corporation and/or its subsidiaries in the USA and other countries. All rights are reserved. Terex is a registered trademark of Terex Corporation in the USA and many other countries. © 2010 Terex Corporation.

8800 Rostin Road, Southaven, MS 38671 USA
1.888.90.TEREX



WORKS FOR YOU.™

TX970B 0310 PN 109015